

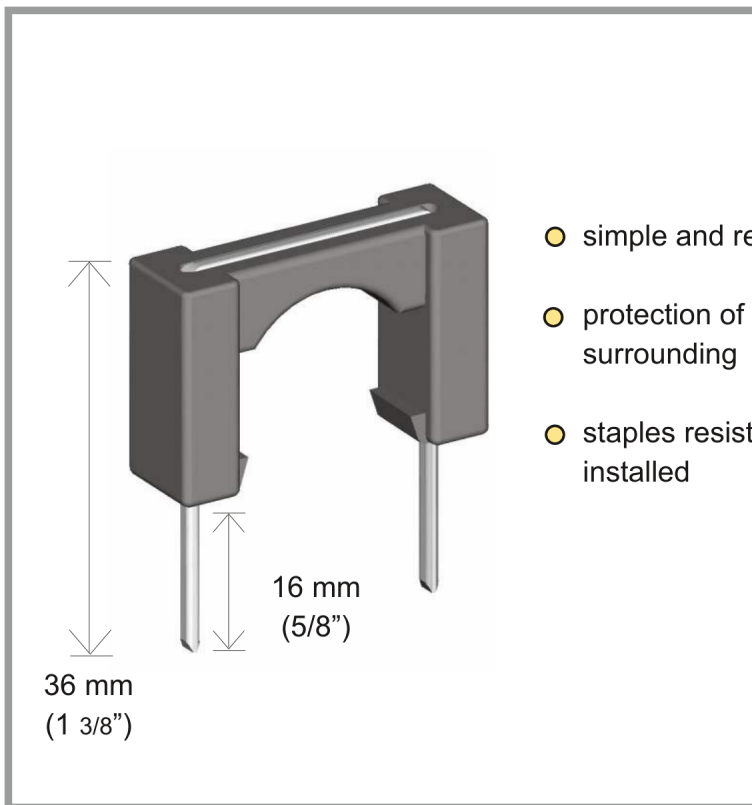


Waldhornstrasse 12  
 D-88662 Überlingen  
 Fon: +49 (0) 7551.1234  
 Fon: +49 (0) 7551.4444  
 Fax: +49 (0) 7551.918888  
 www.winkler-technik.com

**Winkler  
 Technik**

# Winkler - Rider WR 16

Installation of PEX pipe on wooden subfloor



- simple and reliable
- protection of the pipe by complete plastic surrounding
- staples resist foot traffic when installed

● Patent pending

## Technical Data

item No.	length (inside dimension)	for tubing OD	colour	packing unit	weight approx.
<b>WR 16</b>	36 mm (1 3/8")	up to 18 mm	Black	500 /carton in magazines of 20 pieces each	2.1 kg (4.6 lbs.)
		(3/8")			
		(1/2")			
		(5/8")			

Subject to technical changes KG 11.25/04

Winkler Technik GmbH  
 Sitz: Überlingen

Geschäftsführer/-in:  
 Alexander Winkler  
 Veronika Winkler

Handelsregister Freiburg  
 HRB 580 264

Ust.IdNr.:  
 DE146963071

**Winkler - Rider**

# Rider Gun RG

for quick fixing of PEX pipe on wooden subfloor



Rider Gun RG

## Technical Data

item no.	length	filling quantity	weight approx.
RG	1 m ( 3 1/4" )	4 magazines (= 80 riders)	2.5 kg (5.5 lbs.)

Subject to technical changes KG 11.25/04