



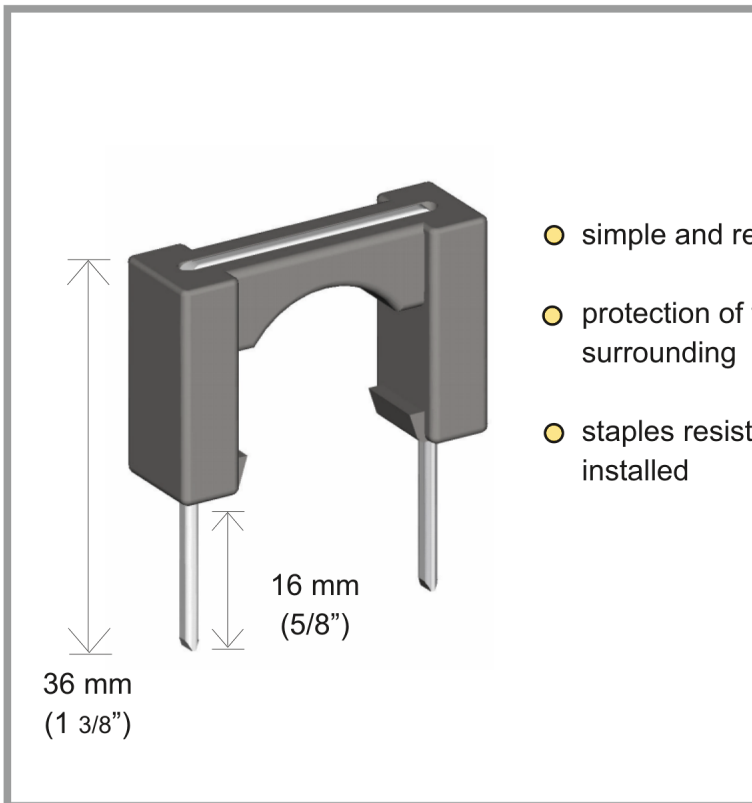
Waldhornstrasse 12
 D-88662 Überlingen
 Fon: +49 (0) 7551.1234
 Fon: +49 (0) 7551.4444
 Fax: +49 (0) 7551.918888
 www.winkler-technik.com

**Winkler
 Technik**



Winkler - Rider WR 16

Installation of PEX pipe on wooden subfloor



- simple and reliable
- protection of the pipe by complete plastic surrounding
- staples resist foot traffic when installed

● Patent pending

Technical Data

item No.	length (inside dimension)	for tubing OD	colour	packing unit	weight approx.
WR 16	36 mm (1 3/8")	up to 18 mm	Black	500 /carton in magazines of 20 pieces each	2.1 kg (4.6 lbs.)
		(3/8")			
		(1/2")			
		(5/8")			

Subject to technical changes GT 10 - 16/03

Winkler Technik GmbH
 Sitz: Überlingen

Geschäftsführer/-in:
 Alexander Winkler
 Veronika Winkler

Handelsregister Freiburg
 HRB 580 264

Ust.IdNr.:
 DE146963071

Winkler - Rider

Rider Gun RG

for quick fixing of PEX pipe on wooden subfloor

- must be pressed down quickly



- simple loading of the rider gun
- rider gun is easy to use even at bends
- ergonomic vertical action
- faster installation saves time
- economical

- In order to avoid failure caused by small traces of glue the adhesive tape has to be removed during you refill the magazine



Technical Data

item no.	length	filling quantity	weight approx.
RG	1 m (3 1/4")	4 magazines (= 80 riders)	2.5 kg (5.5 lbs.)