



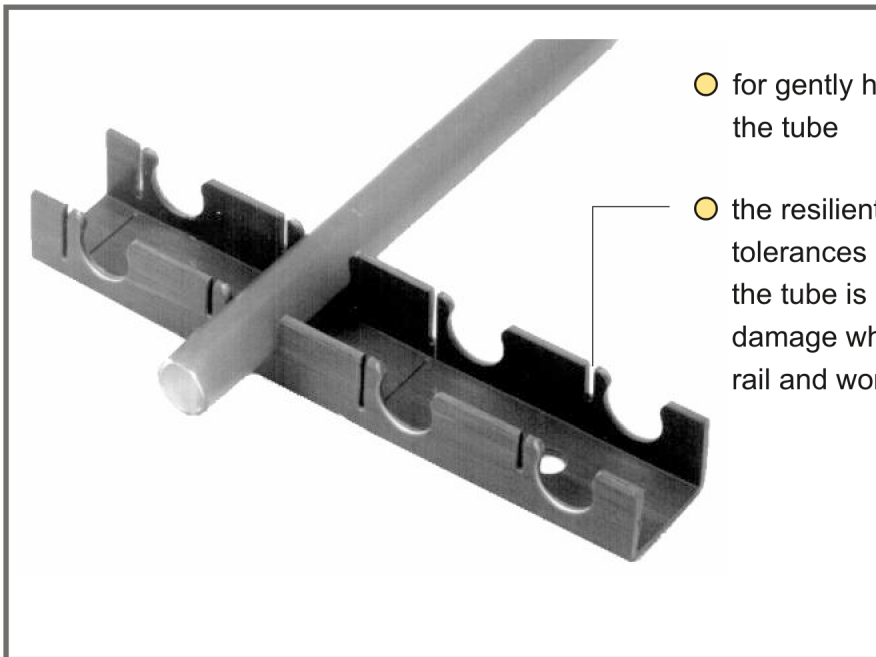
Waldhornstrasse 12
 D-88662 Überlingen
 Fon: +49 (0) 7551.1234
 Fon: +49 (0) 7551.4444
 Fax: +49 (0) 7551.918888
 www.winkler-technik.com

**Winkler
 Technik**

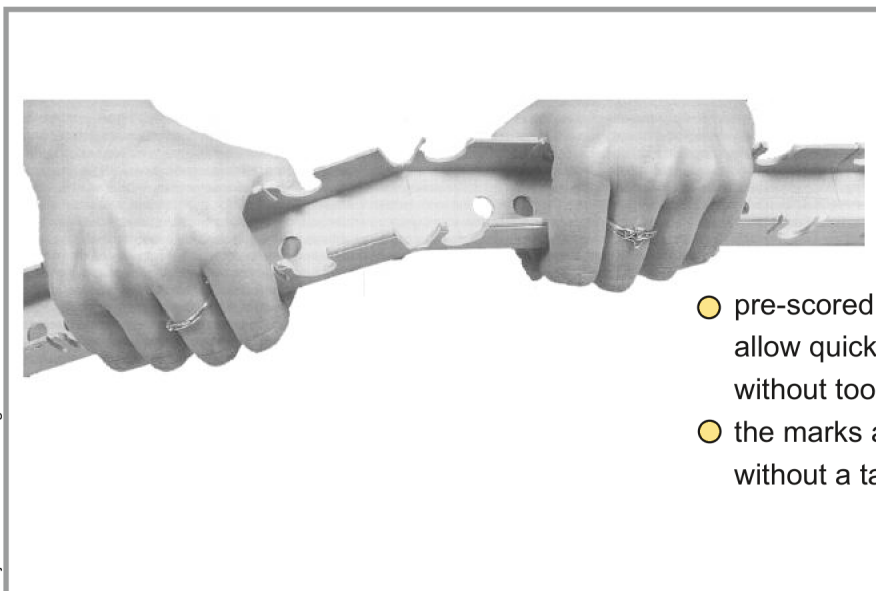


Rapid Mounting Rail

with predetermined dividing sections



- for gently holding the tube
- the resilient slit allows tube tolerances and guarantees that the tube is protected against damage when pressed into the rail and won't come back out



- pre-scored break lines allow quick installation without tools
- the marks allow pipe installation without a tape measure

- the resilient rail is designed to be attached to insulation
 (there is a choice of self adhesive tape, holding pins or plastic nails - see next page)

Subject to technical changes KG 01.26/06

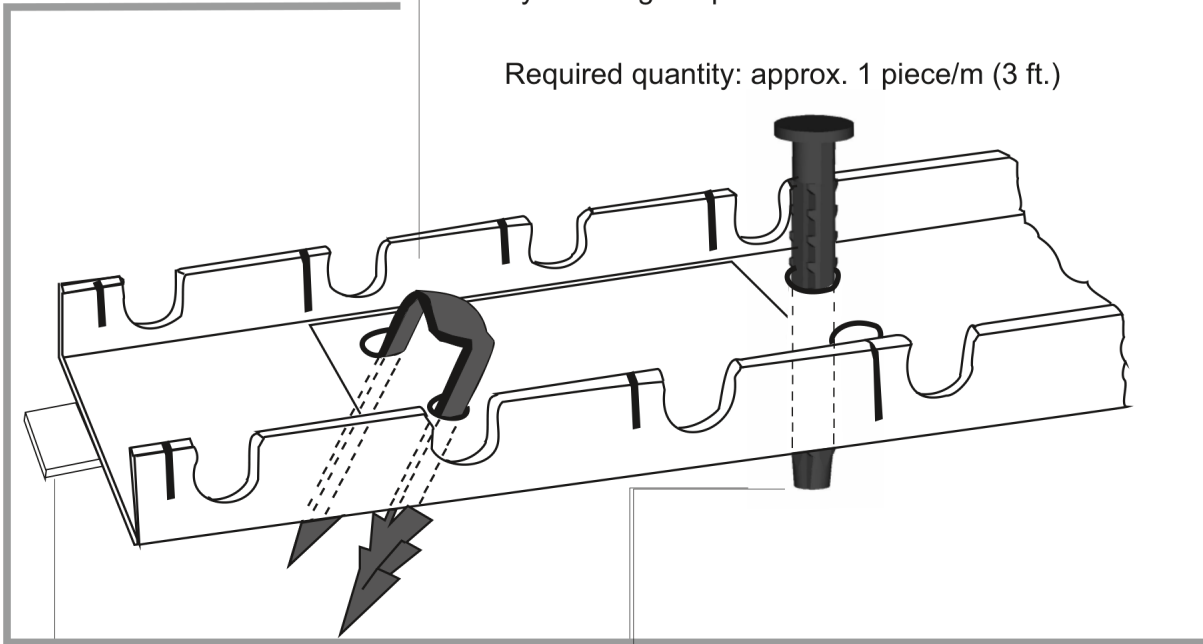
Rapid Mounting Rail

The rapid mounting rail can be attached to the insulation in several ways:

● **with holding pins**

simple and quick attachment to the floor insulation by inserting the pin slantwise

Required quantity: approx. 1 piece/m (3 ft.)



● **with self adhesive tape**

(please specify when ordering the rail)

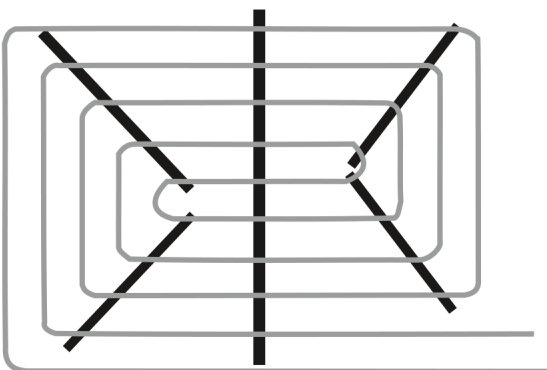
● **with plastic nail**

(attaches the rail through the insulation to the concrete floor)

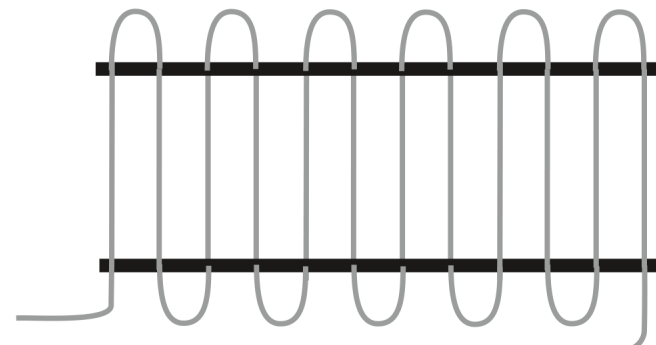
Required quantity: approx.

1 piece every 2 m (6 ft.)

One of many installation possibilities:



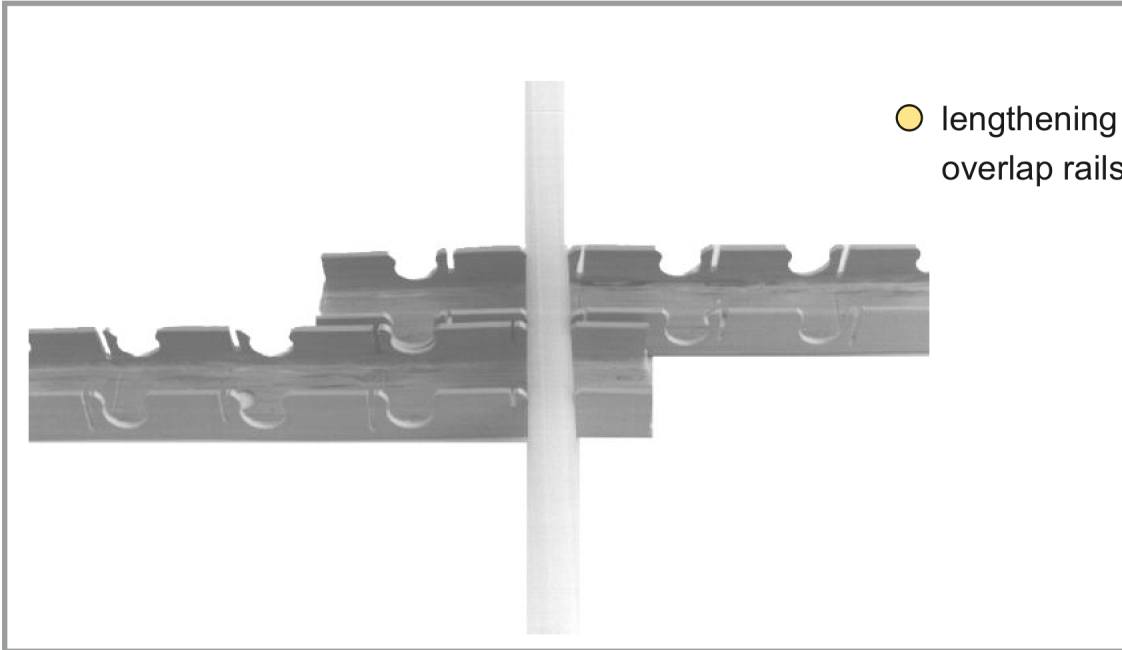
The easiest and fastest laying method:



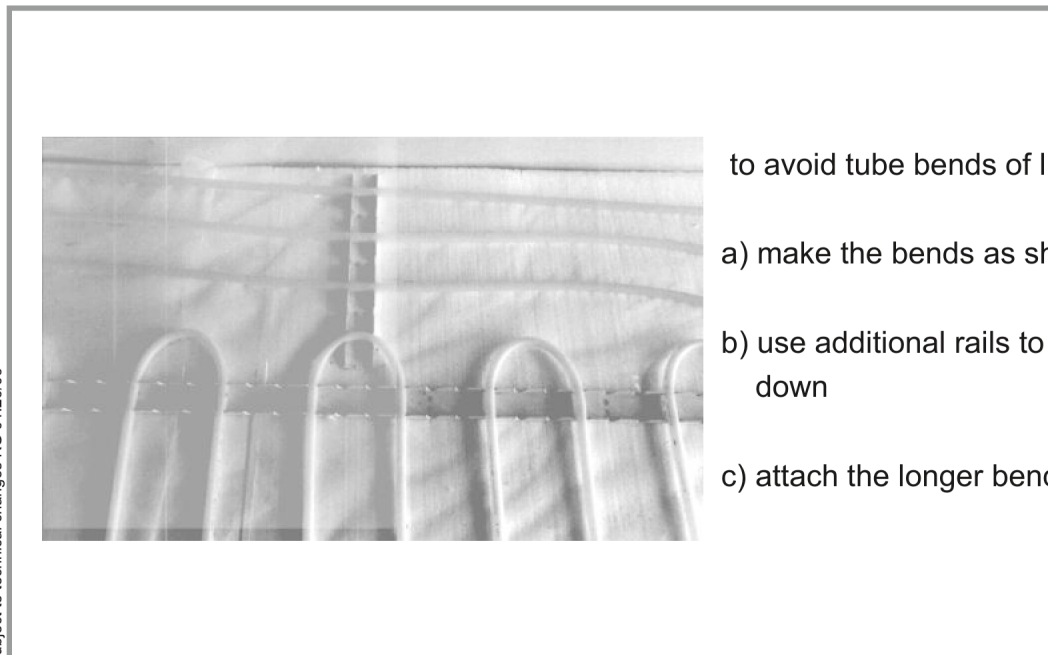


Waldhornstrasse 12
 D-88662 Überlingen
 Fon: +49 (0) 7551.1234
 Fon: +49 (0) 7551.4444
 Fax: +49 (0) 7551.918888
 www.winkler-technik.com

Winkler Technik



- lengthening of resilient rails:
overlap rails

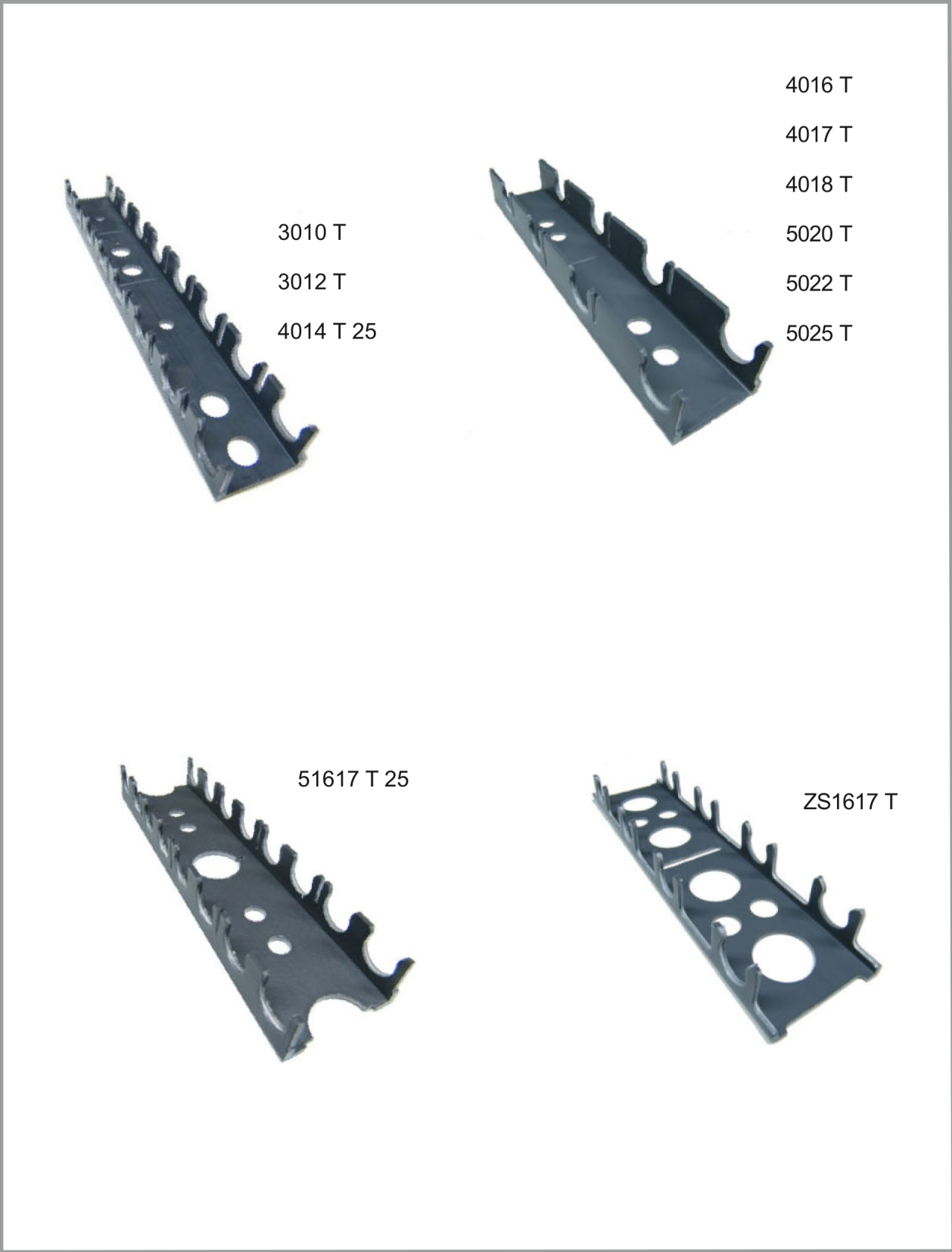


- to avoid tube bends of lifting from floor:
- a) make the bends as short as possible
 - b) use additional rails to hold longer bends down
 - c) attach the longer bends by holding pins

Subject to technical changes KG 01.26/06

Rapid Mounting Rail

Rapid Mounting Rail



3010 T
3012 T
4014 T 25

4016 T
4017 T
4018 T
5020 T
5022 T
5025 T

51617 T 25

ZS1617 T

Subject to technical changes KG 01.26/06

Rapid Mounting Rail



Waldhornstrasse 12
D-88662 Überlingen
Fon: +49 (0) 7551.1234
Fon: +49 (0) 7551.4444
Fax: +49 (0) 7551.918888
www.winkler-technik.com

Winkler Technik



Technical Data

item No.	item No. with self adhesive tape	for tubing OD	tube distance*	width	height	weight/m (3 1/4 ft) approx.
3010T	on request	10 mm	25 mm	30 mm	15.5 mm	0.180 kg (0.397 lbs.)
3012T		12 mm	25 mm	30 mm	17.5 mm	0.160 kg (0.353 lbs.)
4014T25	4014TK25	14 mm	25 mm	40 mm	21.0 mm	0.200 kg (0.441 lbs.)
4015T25		15 mm	25 mm	40 mm	20.0 mm	0.180 kg (0.397 lbs.)
4016T	4016TK	16 mm	50 mm	40 mm	25.0 mm	0.300 kg (0.661 lbs.)
		(1/2")	(2")	(1 1/2")	(1")	
4017T	4017TK	17 mm	50 mm	40 mm	25.0 mm	0.260 kg (0.573 lbs.)
4018T	4018TK	18 mm	50 mm	40 mm	25.0 mm	0.260 kg (0.573 lbs.)
		(5/8")	(2")	(1 1/2")	(1")	
ZS1617T	ZS1617TK	16 / 17 mm	50 mm	50 mm	22.5 mm	0.220 kg (0.485 lbs.)
		(1/2")	(2")	(2")	(7/8")	
51617T25	51617TK25	16 / 17 mm	25 mm	50 mm	23.0 mm	0.260 kg (0.573 lbs.)
		(1/2")	(1")	(2")	(7/8")	
5020T	5020TK	20 mm	50 mm	50 mm	25.0 mm	0.260 kg (0.573 lbs.)
5022T	on request	22 mm	50 mm	50 mm	25.0 mm	0.320 kg (0.705 lbs.)
		(3/4")	(2")	(2")	(1")	
5025T		25 mm	100 mm resp. 50 mm (special production)	50 mm	35.0 mm	0.320 kg (0.705 lbs.)

*the center-distance tolerance of the punch holes is approx. ± 2 mm (1/16")

rail length	2 m (6 1/2ft) 4 m (13 ft) for 5025T
required quantity	for 1 m ² (10 3/4 ft ²) underfloor heating you need 0.5 - 0.8 m rail (1 3/4 - 2 3/4 ft) for 1 m ² (10 3/4 ft ²) wall heating 1.5 - 2.0 m rail (5 - 6 1/2 ft)
packing	standard packing A : 896 m (2,940 ft) - 28 bundles à 32 m (105 ft) standard packing B : 1,600 m (5,248 ft) - 25 bundles à 64 m (210 ft) - only for 5025T -
colour	may vary

processing and mounting temperature has to be more than +5° C

Subject to technical changes KG 01.26/06