



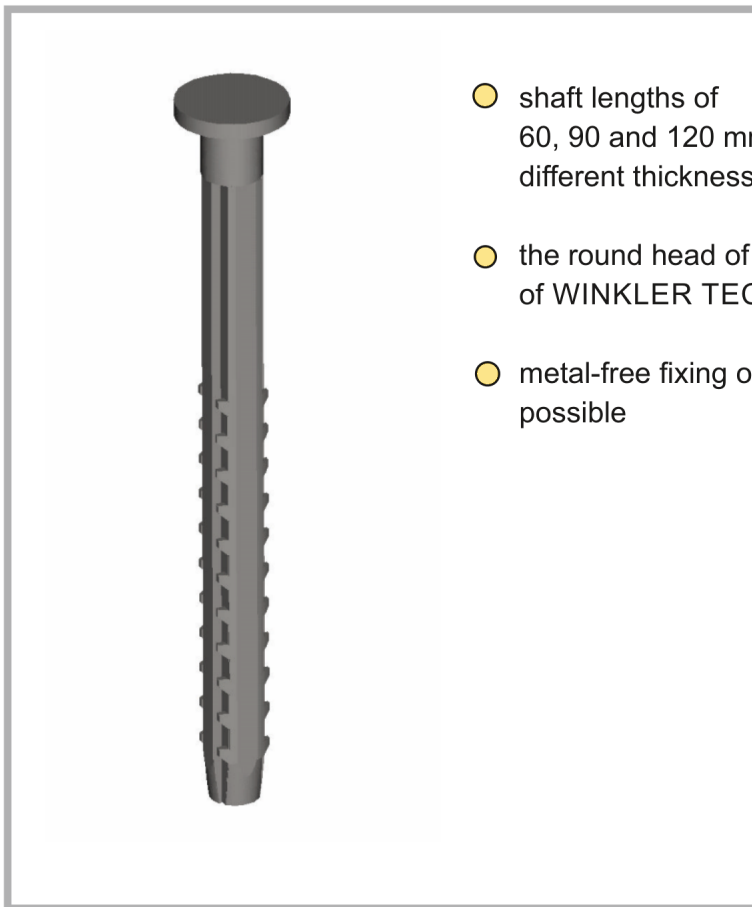
Waldhornstrasse 12
 D-88662 Überlingen
 Fon: +49 (0) 7551.1234
 Fon: +49 (0) 7551.4444
 Fax: +49 (0) 7551.918888
 www.winkler-technik.com

**Winkler
 Technik**



Plastic Nail KN

for installing rapid mounting rails in concrete and wood



- shaft lengths of 60, 90 and 120 mm (2 3/8" / 3 1/2" / 4 3/4") for different thicknesses of insulation
- the round head of the nail fits perfectly all types of WINKLER TECHNIK - rapid mounting rails
- metal-free fixing of other construction material etc. possible

Technical Data

item No.	length	shaft diameter	colour	packing unit	weight approx.
KN 0608	60 mm (2 3/8")	8 mm (5/16")	black	100 / bag, 500 / carton	1.8 kg (3.9 lbs.)
KN 0908	90 mm (3 1/2")	8 mm (5/16")		100 / bag, 500 / carton	2.6 kg (5.7 lbs.)
KN 1208	120 mm (4 3/4")	8 mm (5/16")		100 / bag, 500 / carton	3.2 kg (7.0 lbs.)

Subject to technical changes GT 02. 16/01

Winkler Technik GmbH
 Sitz: Überlingen

Geschäftsführer/-in:
 Alexander Winkler
 Veronika Winkler

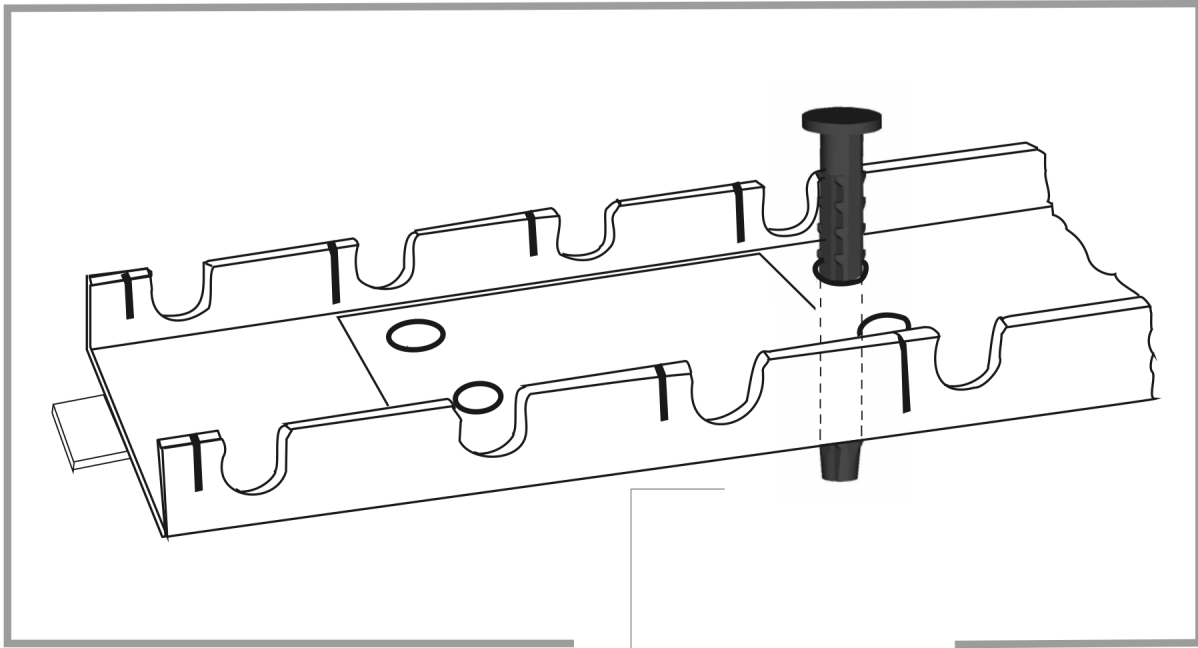
Handelsregister Freiburg
 HRB 580 264

Ust.IdNr.:
 DE146963071

Plastic Nail KN

Recommended Installation

of plastic nail KN



- Non-slip attachment through the insulation into the floor
- Drill a hole of 8 mm